

400 W. Artesia Blvd.
Compton, CA 90220
Fax: (310) 747-3912
Ph: 1-800-776-0767
E-Mail: info@procompusa.com
Website: www.procompusa.com

Latest Revision
8.8.2016



off-road driven!™

PRO COMP SUSPENSION

IMPORTANT!: After completion of lift kit installation, place the vehicle on level ground and remove the front differential fill level plug. Fill the front differential, with an approved GM fluid, until the fluid starts to slightly pour out. Reinstall the fill level plug. See step 96.

NOTE: This system is designed for installation on both 4WD and 2WD models. For installation on 2WD models, disregard any and all steps involving the front differential & mounts, frame cutting, front driveshaft and C.V. shaft removal or installation.

K1166B

51061B

6" 2015 - 2016 Chevrolet Tahoe 4WD/2WD Lift Kit

W/ OE Forged Steel Knuckles, Forged Steel Upper Control Arms, and Forged Steel Lower Control Arms

K1167B

51061B

6" 2015 -2016 Chevrolet Tahoe 4WD/2WD Lift Kit

W/OE Forged Aluminum Knuckles, Forged Aluminum Upper Control Arms, and Forged Aluminum Lower Control Arms

K1167B

51061B

6" 2016 1/2 & Up Chevrolet Tahoe 4WD/2WD Lift Kit

W/OE Forged Steel Knuckles, Stamped Steel Upper Control Arms, and Stamped Steel Lower Control Arms

This document contains very important information that includes warranty information and instructions for resolving problems you may encounter. Please keep it in the vehicle as a permanent record.

Box 1 of 6-PN 51061B-1

Part #	Description	Qty.	Illus.	Page
91-9486	SKID PLATE	1	13	16
91-1785	REAR CONTROL ARM DROP BRACKET: Drvr	1	21	21
91-1790	REAR CONTROL ARM DROP BRACKET: Pass	1	-	-
91-2311	SWAY BAR EXTENSION	2	19	20
91-5400	TRACK BAR RELOCATION BRACKET	1	15	18
90-6939	HARDWARE PACK: Skid Plate	1	-	-
70-0371001800	3/8"-16 X 1 HEX BOLT GR. 8	4	13	16
73-03700042	3/8" SAE FLAT WASHER GR. 8	4	13	16
90-6940	HARDWARE PACK: Skid Plate Spacer	1	-	-
90-9487	OE SKID PLATE SPACER ROUND	1	-	-
90-9488	OE SKID PLATE SPACER	1	-	-
90-6514	HARDWARE PACK: Diff Mount Drvr - 4WD only	1	-	-
70-0501751800	1/2"-13 X 1 3/4" HEX BOLT GR. 8	2	4	9
72-050100816	1/2"-13 STOVER NUT	2	4	9
73-05000034	1/2" SAE FLAT WASHER GR. 8	4	4	9
90-60086	HARDWARE PACK: CV Spacer	1	-	-
71-10070150010900	10mm-1.5 X 70mm HEX BOLT 10.9	12	8	11
73-10000034	10mm HARDENED FLAT WASHER	12	8	11
61-40620	CV SPACER	2	8	11
90-6556	HARDWARE PACK: CV Knuckle Spacer Ring	1	8	11
90-3809	CV KNUCKLE SPACER RING	2	8	11
90-6236	HARDWARE PACK: Track Bar	1	-	-
70-0563501800	9/16" X 3 1/2" GR. 8 HEX BOLT	1	15	18
70-0563001800	9/16" X 3" GR. 8 HEX BOLT	2	-	-
72-056100816	9/16" GR. 8 STOVER NUT	3	15	18
73-05600034	9/16" SAE HARDENED WASHER	6	15	18
70-0431251800	7/16" X 1 1/4" GR. 8 HEX BOLT	2	15	18
72-043100816	7/16" GR. 8 STOVER NUT	2	15	18
73-04300034	7/16" SAE HARDENED WASHER	4	15	18
70-0311001800	5/16" X 1" GR. 8 HEX BOLT	1	15	18
72-031100816	5/16" GR. 8 STOVER NUT	1	15	18
73-03100034	5/16" SAE HARDENED WASHER	2	15	18
90-6276	HARDWARE PACK: Rear Control Arm	1	-	-
70-0563501800	9/16" X 3 1/2" HEX BOLT GR. 8	2	21	21
70-0564001800	9/16" X 4" HEX BOLT GR. 8	2	21	21
72-056100816	9/16" GR. 8 STOVER NUT	4	21	21
73-05600034	9/16" SAE HARDENED WASHER	8	21	21
70-0501251800	1/2" X 1 1/4" HEX BOLT GR. 8	2	21	21
72-050100816	1/2" GR. 8 STOVER NUT	2	21	21
73-05000034	1/2" USS HARDENED FLAT WASHER	4	21	21
90-6235	HARDWARE PACK: Rear Sway Bar/Rear Brake Line	1	-	-
P-843	SHOCK BOLT	2	19	20
60859H	5/8"X 12mm X 1.480 SLEEVE	2	19	20

Part #	Description	Qty.	Illus.	Page
45359	5/8" RUBBER HOURGLASS	4	19	20
90-55089-4	FRONT BRAKE LINE EXTENSION	1	16	18
90-6244	HARDWARE PACK: Bump Stop	1	-	-
90-3146	BUMPSTOP SPACER	4	17	19
90-1702	NUT PLATE	2	17	19
70-0371501800	3/8" X 1 1/2" USS GR. 8 HEX BOLT	4	17	19
73-03700836	3/8 GR. 8 LOCK WASHER	4	17	19
90-60616	HARDWARE PACK: Sway Bare Relocation	1	-	-
91-10853	END LINK RELOCATION BRACKET: Drvr	1	11a,11b	14
91-10856	END LINK RELOCATIO BRACKET: Pass	1	11a,11b	14
90-60617	HARDWARE PACK: Shock Bracket	1	11a,11b	14
70-0621751800	5/8"-11 X 1 3/4" HEX BOLT Gr. 8	2	11a,11b	14
72-062100816	5/8"-11 NYLOCK NUT Gr.8	2	11a,11b	14
73-0620034	5/8" HARDENED FLAT WASHER	4	11a,11b	14
Box 2 of 6-PN 51014B-2 (w/K1166)				
90-4570	KNUCKLE (OE Steel Replacement): Drvr	1	-	-
90-4571	KNUCKLE (OE Steel Replacement): Pass	1	-	-
90-6522	HARDWARE PACK: Adel Clamps	1	-	-
90-3240	ADEL CLAMP	2	-	-
90-6439	HARDWARE PACK: Tie Rod Jam Nut	1	-	-
	.160FNFJZ			
	16mm-1.5 HEX JAM NUT	2	-	-
90-6709	HARDWARE PACK: Spare Tire Wheel Spacer	1	-	-
90-3950	SPARE TIRE WHEEL SPACER	2	-	-
90-6961	HARDWARE PACK: ABS Bracket	1	-	-
90-9549	ABS BRACKET	2	-	-
90-6626	HARDWARE PACK: ABS Bracket	1	-	-
	1/4"-20 X 3/4" HEX BOLT GR. 8	2	-	-
	1/4"-20 NYLOCK NUT	2	-	-
	1/4" SAE FLAT WASHER	4	-	-
Or Box 2 of 6-PN 51015B-2 (w/K1167)				
90-4573	KNUCKLE (OE Aluminum Replacement): Drvr	1	-	-
90-4574	KNUCKLE (OE Aluminum Replacement): Pass	1	-	-
90-6522	HARDWARE PACK: Adel Clamps	1	-	-
90-3240	ADEL CLAMP	2	-	-
90-6439	HARDWARE PACK: Tie Rod Jam Nut	1	-	-
	.160FNFJZ			
	16mm-1.5 HEX JAM NUT	2	-	-
90-6709	HARDWARE PACK: Spare Tire Wheel Spacer	1	-	-
90-3950	SPARE TIRE WHEEL SPACER	2	-	-
90-6961	HARDWARE PACK: ABS Bracket	1	-	-
90-9549	ABS BRACKET	2	-	-
90-6626	HARDWARE PACK: ABS Bracket	1	-	-
	1/4"-20 X 3/4" HEX BOLT GR. 8	2	-	-
	1/4"-20 NYLOCK NUT	2	-	-
	1/4" SAE FLAT WASHER	4	-	-

Box 4 of 6-PN 51014B-3

Part #	Description	Qty.	Illus.	Page
91-9490	REAR CROSSMEMBER	1	5	10
91-2319	COMPRESSION STRUTS	2	12	15
90-6234	HARDWARE PACK: Compression Strut	1	-	-
70-0501251800	1/2" X 1 1/4" GR. 8 HEX BOLT	2	12	15
70-0504001800	1/2" X 4" GR. 8 HEX BOLT	4	12	15
72-050100816	1/2" GR. 8 STOVER NUT	4	12	15
73-05000034	1/2" SAE HARDENED FLAT WASHER	10	12	15
90-3353	COMPRESSION STRUT NUT PLATE	2	12	15
91-1104	COMPRESSION STRUT MOUNT	2	12	15
90-6263	HARDWARE PACK: Compression Struts	1	-	-
15-11148	COMPRESSION STRUT BUSHING	8	12	15
90-2109	SLEEVE, COMPRESSION STRUT	4	12	15

Box 4 of 6-PN 51064B-4

91-3684	FRONT CROSSMEMBER	1	6	10
90-6284	HARDWARE PACK: Crossmember	1	-	-
70-0624501800	5/8"-11 x 4 1/2" HEX BOLT GR. 8	2	7	10
70-0625501800	5/8"-11 X 5 1/2" BOLT GR. 8	2	7	10
72-06200100512	5/8"-11 STOVER NUT	4	7	10
73-06200030	5/8" SAE FLAT WASHER	8	7	10
90-6498	HARDWARE PACK: Sway Bar Drop	1	-	-
71-100301251000	10mm-1.5 X 30mm 10.9 HEX BOLT	4	11	13
73-01010930	10mm 10.9 FLAT WASHER	8	11	13
72-043100816	10mm STOVER NUT	4	-	-
70-0432501800	7/16"-14 X 2 1/2" GR. 8 HEX BOLT	4	11	13
72-043100816	7/16"-14 STOVER NUT	4	11	13
73-04300034	7/16" SAE FLAT WASHER	8	11	13
91-3632	SWAY BAR DROP- Drvr	1	11	13
91-3635	SWAY BAR DROP- Pass	1	-	-
90-7734	FRONT BRAKE LINE DROP BRACKET- Drvr	1	10	13
90-7735	FRONT BRAKE LINE DROP BRACKET- Pass	1	10	13
90-6517	HARDWARE PACK: Brake Line Bracket	1	-	-
70-0313751800	5/16" X 1" GR. 8 HEX BOLT	2	10	13
73-03100830	5/16" FLAT WASHER	4	10	13
72-031100816	5/16" GR. 8 STOVER NUT	2	10	13
70-0251001800	1/4" X 1.0" GR. 8 HEX BOLT	4	10	13
73-02500830	1/4" FLAT WASHER	8	10	13
72-025100816	1/4" GR. 8 NYLOCK NUT	4	10	13
-Not used-	#10-24 X 3/4" PHILLIPS MACHINE SCREW	4	-	-
-Not used-	#10-24 PLATED NYLOCK WASHER	4	-	-
-Not used-	#10 WASHERS	8	-	-
-Not used-	#8 X 3/4" HEX BOLT (w/ loose "fender" washer on bolt)	8	-	-

Part #	Description	Qty.	Illus.	Page
90-6942	HARDWARE PACK: ABS Bracket	1	-	-
90-9496	ABS LINE RELOCATION BRACKET	2	10	13
73-0250030	1/4" SAE FLAT WASHER	4	10	13
72-025100512	1/4" NYLOCK NUT	4	10	13
35-10660	HANGER WASHER	4	4	9
13-90050	U-BOLT: .500 X 2.00 X .500	1	4	9
91-10661	DIFF MOUNT: Drvr- 4WD only	1	4	9
90-60090	HARDWARE PACK: Diff Drops	2	-	-
15-11096	BUSHING	4	4	9
35-20108	SLEEVE	2	4	9
91-10665	DIFF MOUNT: Pass- 4WD only	1	4	9
90-60087	HARDWARE PACK: Pass Diff Drop	1	-	-
72-056100816	9/16" STOVER NUT	1	4	9
73-05600034	9/16" SAE HARDENED FLATWASHER	1	4	9
90-60088	HARDWARE PACK: Diff Drops U-Bolt	1	-	-
72-050200512	1/2" NYLOCK NUT	2	4	9
73-05000034	1/2" SAE HARDENED FLAT WASHER	2	4	9
90-60089	HARDWARE PACK: Diff Drops	1	-	-
50C175HCS8Y	1/2" X 4 1/2" HEX BOLT Gr. 8	4	4	9
50CNUCZ	1/2" STOVER NUT	4	4	9
50NWHDY/SAE	1/2" SAE FLAT WASHER	8	4	9
Box 5 of 6-PN 51907B-5				
14157	REAR COIL SPRINGS	2	-	-
Box 6 of 6-PN 51061B-6				
927543	ES 9000 SHOCK	2	-	-
91-20109	STRUT SPACER	2	9	12
90-6317	HARDWARE PACK: Spacer Mount	1	-	-
72-043200810	7/16-20 GR. 8 PLATED HEX NUT	6	9	12
73-04300830	7/16 SAE FLATWASHER ZINC	6	9	12
73-04300836	7/16 SPLIT LOCK WASHER	6	9	12

Introduction:

- ◆ This installation requires a professional mechanic!
- ◆ We recommend that you have access to a factory service manual for your vehicle to assist in the disassembly and reassembly of your vehicle. It contains a wealth of detailed information.
- ◆ Ensure that your work space is of adequate size and the work surface is level. Place the vehicle in neutral. Place your floor jack under the front cross member and raise vehicle. Place jack stands under the frame rails behind the front wheel wells and lower the frame onto the stands. Remove the jack and place the vehicle back in gear, set the emergency brake, and place blocks both in front and behind the rear wheels.
- ◆ Prior to installation, carefully inspect the vehicle's steering and driveline systems paying close attention to the tie rod ends, ball joints, wheel bearing preload, pitman and idler arm. Additionally, check steering-to-frame and suspension-to-frame attaching points for stress cracks. The overall vehicle must be in excellent working condition. Repair or replace all worn or damaged parts!
- ◆ Read the instructions carefully and study the illustrations before attempting installation! You may save yourself a lot of extra work.
- ◆ Check the parts and hardware against the parts list to assure that your kit is complete. Separating parts according to the areas where they will be used and placing the hardware with the brackets before you begin will save installation time.
- ◆ Check the special equipment list and ensure the availability of these tools.
- ◆ Secure and properly block vehicle prior to beginning installation.
- ◆ **ALWAYS** wear safety glasses when using power tools or working under the vehicle!
- ◆ Use caution when cutting is required under the vehicle. The factory undercoating is flammable. Take appropriate precautions. Have a fire extinguisher close at hand.
- ◆ Foot pound torque readings are listed on the Torque Specifications chart at the end of the instructions. These are to be used unless specifically directed otherwise. Apply Loctite[®] retaining compound where specified.
- ◆ *Please note that while every effort is made to ensure that the installation of your Pro Comp lift kit is a positive experience, variations in construction and assembly in the vehicle manufacturing process will virtually ensure that some parts may seem difficult to install. Additionally, the current trend in manufacturing of vehicles results in a frame that is highly flexible and may shift slightly on disassembly prior to installation. The use of pry bars and tapered punches for alignment is considered normal and usually does not indicate a faulty product. However, if you are uncertain about some aspect of the installation process, please feel free to call our tech support department at the number listed on the cover page. We do not recommend that you modify the Pro Comp parts in any way as this will void any warranty expressed or implied by the Pro Comp Suspension company.*
- Front end and head light realignment is necessary!
- Speedometer and ABS recalibration will be necessary if larger tires (10% more than stock diameter) are installed.

Due to differences in manufacturing, dimensions and inflated measurements, tire and wheel combinations should be test fit prior to installation. Tire and wheel choice is crucial in assuring proper fit and performance of your Pro Comp equipped vehicle. Body and or fender modifications may be required to properly install the maximum tire diameter and maximum wheel width listed. Tire and wheel choice is crucial in assuring proper fit, performance, and the safety of your Pro Comp equipped vehicle. For this application, we recommend a 17", 18" or 20" or larger wheel not to exceed 9.5" in width. 17" rims must not exceed 4.5" of backspacing and 18" and 20" rims must not exceed 5" of backspacing. A quality tire of radial design, not exceeding 35" tall X 12.5" wide. Pro Comp recommends 295/60-20 or equivalent. Please note that the use of a 35" X 12.5" tire may require fender modification. Violation of these recommendations will not be endorsed as acceptable by Pro Comp Suspension and will void any and all warranties either written or implied.

⇒ **IMPORTANT!:** The factory rims and factory spare tire cannot be used with this lift kit.

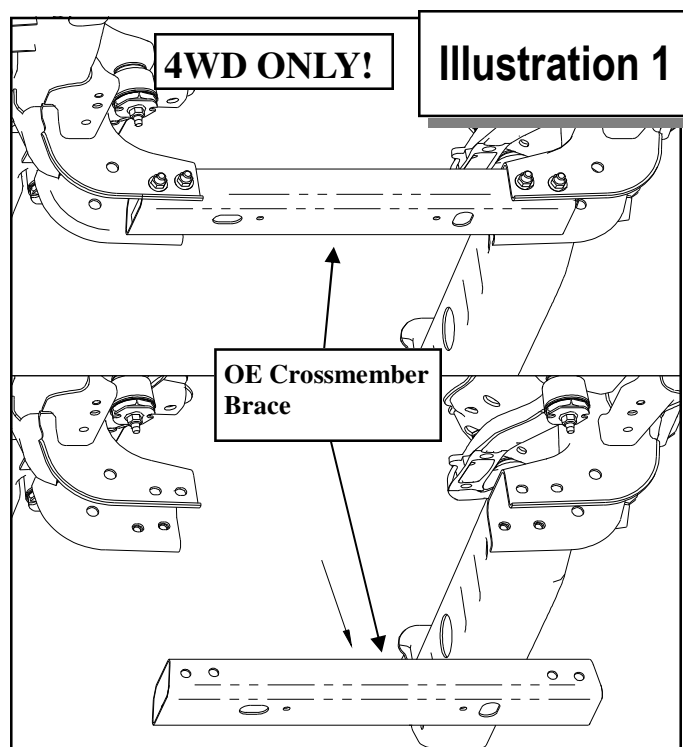
FRONT INSTALLATION:

1. Position your vehicle on a smooth, flat, hard surface (i.e. concrete or asphalt). Block the rear tires and set the emergency brake.
2. Measure and record the distance from the center of each wheel to the top of its fender opening. Record below.

LF: _____ RF: _____

LR: _____ RR: _____

3. Place the vehicle in neutral. Place your floor jack under the front axle and raise the vehicle. Place jack stands under the frame rails and lower the frame onto the stands. Remove the jack and place the vehicle back in gear, set the emergency brake, and place blocks both in front and behind the rear wheels.
4. Remove the front wheels from the vehicle.
5. Unbolt and remove the OE skid plate. Save hardware for reinstallation.
6. Unclip the ABS bracket from coil bucket and A-arm. Unplug the ABS connector.
7. Unbolt the ABS strap from the steering knuckle. Secure the ABS wire out of the work area. Discard the bracket.
8. Using pliers carefully open the a-arm brake line retaining bracket. Remove the rubber brake hose from the bracket. Using a cut off wheel, cut the bracket at the bend.
NOTE: Be very careful to not damage the rubber line in any way during it's removal from the bracket.
9. Unbolt the brake line bracket from the upper A-arm.
10. Using the proper tool carefully separate the outer tie rod end from the knuckle.
11. Remove the brake caliper and caliper bracket assembly and the rotor. Secure them clear from the work area. **DO NOT** let the caliper hang by the brake line or damage may result.
12. Unbolt the sway bar end links from the sway bar. Save the OE hardware for reinstallation.
13. Mark the orientation of the sway bar and remove it from the vehicle. Save the OE hardware for

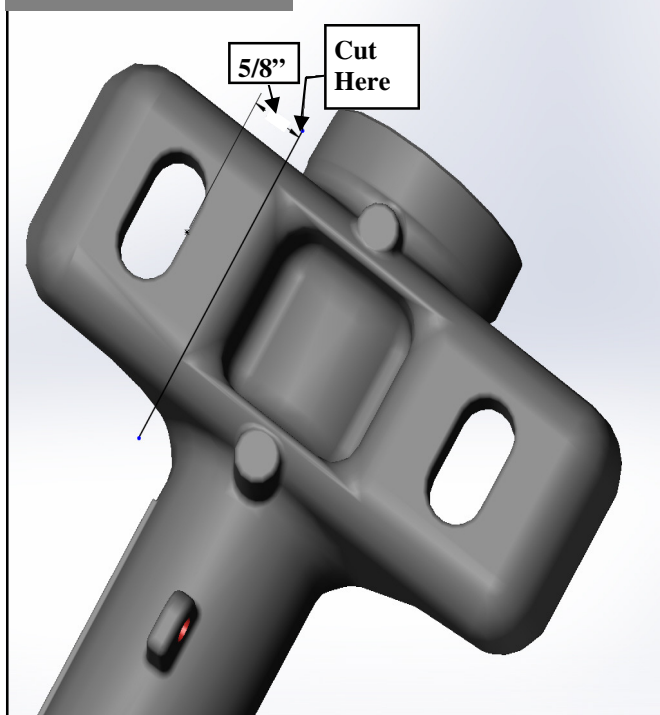


reinstallation.

14. Unbolt the CV axle from the differential.
15. Using the proper tool carefully separate the upper ball joint from the knuckle. Loosen but **DO NOT** remove the retaining nut from the upper ball joint.
16. Support the lower control arm with a jack and unbolt the lower strut mounting bolts from the lower control arm mount.
17. Unbolt the lower control arm retaining bolts
18. Unbolt the previously loosened upper ball joint retaining nut and remove the lower control arm, knuckle and CV axle assembly from the vehicle.
19. Remove the clips that hold the ABS wire to the upper strut mounting studs.
20. Unbolt the nuts on the upper strut mounting studs. Carefully remove the strut from the vehicle.
21. Unbolt the front driveshaft from the differential and secure it out of the way of the work area. Save the hardware for reuse.
22. Unplug the differential wiring harness clips and vent tube.
23. Remove the factory rear crossmember support brace from the vehicle and discard. See ILLUSTRATION 1.
24. Support the differential with a jack and unbolt the

Illustration 2

Differential cut Picture



driver and passenger side mounts (2 per side). Carefully remove the differential from the vehicle.

25. Measure back $5/8$ " from the backside of the front passenger side differential mounting hole and scribe a line. See ILLUSTRATION 2.
26. Using a suitable cutting tool, (abrasive cutoff wheel, Sawz-all, etc.) cut the differential along the previously marked lines as shown above.
27. On the passenger side, measure $3\ 1/2$ " out from the inner edge of the control arm pocket and

scribe a line. See ILLUSTRATION 3.

28. Using a suitable cutting tool, (abrasive cutoff wheel, Sawz-all, etc.) cut the frame along the previously marked lines as shown below. See ILLUSTRATION 3.
29. Measure 1 " from the bottom of the control arm bolt holes on the forward face of the rear control arm pockets. Mark a horizontal line on the frame. Cut along the line and remove excess material. See ILLUSTRATION 3.
30. Assemble the driver and passenger differential mount brackets (91-10661 and 91-10665) using the supplied bushings (15-11096) and sleeves (35-20108) from hardware pack (90-6657). See ILLUSTRATION 4.
31. Install the driver and passenger differential mount brackets (91-10661 and 91-10665) to the factory frame mounting locations using the supplied $1/2$ " X $4\ 1/2$ " bolts, hanger washers (35-10660, **underneath the nuts**), and $1/2$ " hardware. Hand tighten only. See ILLUSTRATION 4.

NOTE: Be sure to install the bolts with the heads toward the top.

32. Install the rear crossmember (91-9490) into the rear mounting pockets using the OE bolts. See ILLUSTRATION 5.

IMPORTANT!: Install OE rear crossmember bolts with the heads facing toward the front of the vehicle.

33. Carefully raise and secure the differential to the previously installed driver differential mount bracket (91-10661) using the supplied $1/2$ " X $1\ 3/4$ " bolts and hardware. Snug the mounting

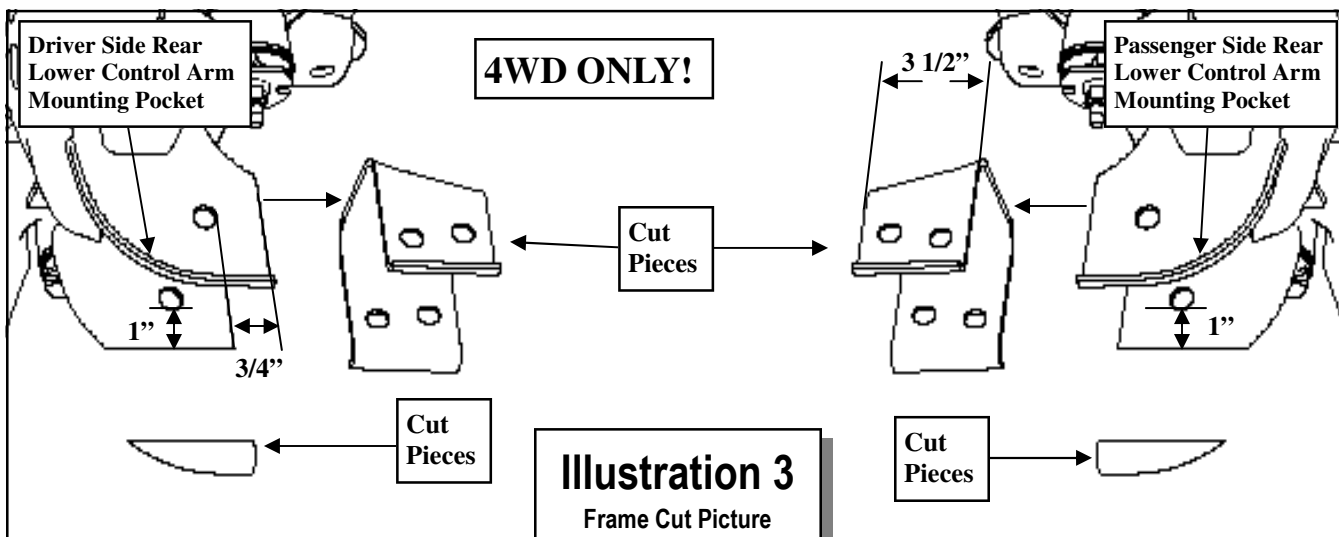
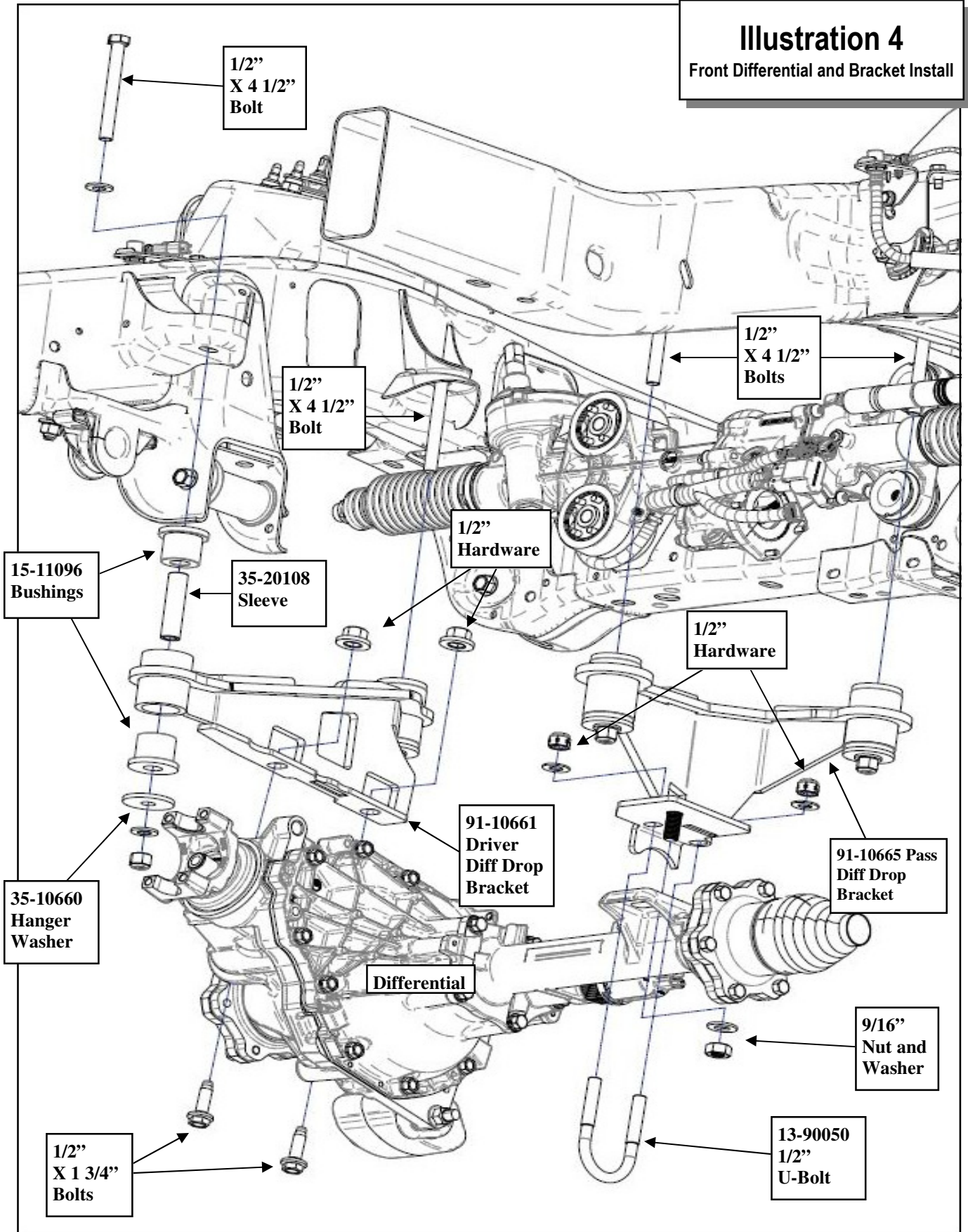


Illustration 3

Frame Cut Picture

Illustration 4
Front Differential and Bracket Install



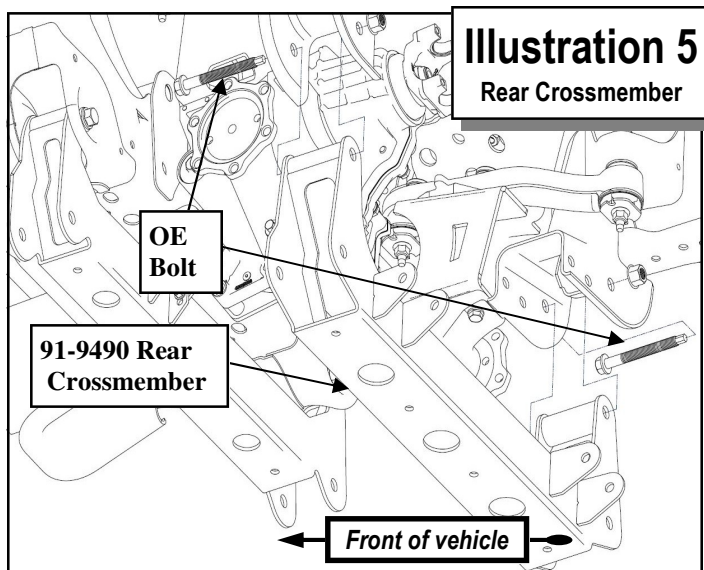


Illustration 5
Rear Crossmember

hardware, but ***DO NOT*** torque at this time. See ILLUSTRATION 4.

34. Secure the differential to the previously installed passenger differential mount bracket (91-10665) using the supplied 1/2" U-bolt (13-90050) and 1/2" hardware. Install the supplied 9/16" nut and washer onto the passenger differential mount bracket stud. Snug the mounting hardware, but ***DO NOT*** torque at this time. See ILLUSTRATION 4.
35. Check clearance between the differential and the

trimmed area of the frame. If needed, remove more material until adequate clearance is achieved.

36. Check that the differential is centered in the vehicle.

IMPORTANT!: Make sure there is a 1/4" of clearance between the differential and any other component such as the steering rack and the frame to prevent any vibration.

37. After verifying there is an adequate amount of clearance, thoroughly clean and paint the trimmed areas with a good quality paint to prevent rust.
38. Install the front crossmember (91-3684) into the front mounting pockets by sliding one end of the crossmember into the driver side mounting pocket from the outside. Push the installed end of the crossmember as far as it will go to the passenger side in the mounting pocket. Swing the crossmember up into the passenger side pocket. Center the crossmember in the mounting pockets and secure using the OE bolts. See ILLUSTRATION 6.

IMPORTANT!: Be sure to install the OE crossmember bolts with the heads facing toward the rear of the vehicle.

NOTE: ***DO NOT*** cut the front crossmember frame mounting pockets.

NOTE: On 2WD model, sandwich the lower mounting portion of the skid plate in between the frame and the front crossmember.

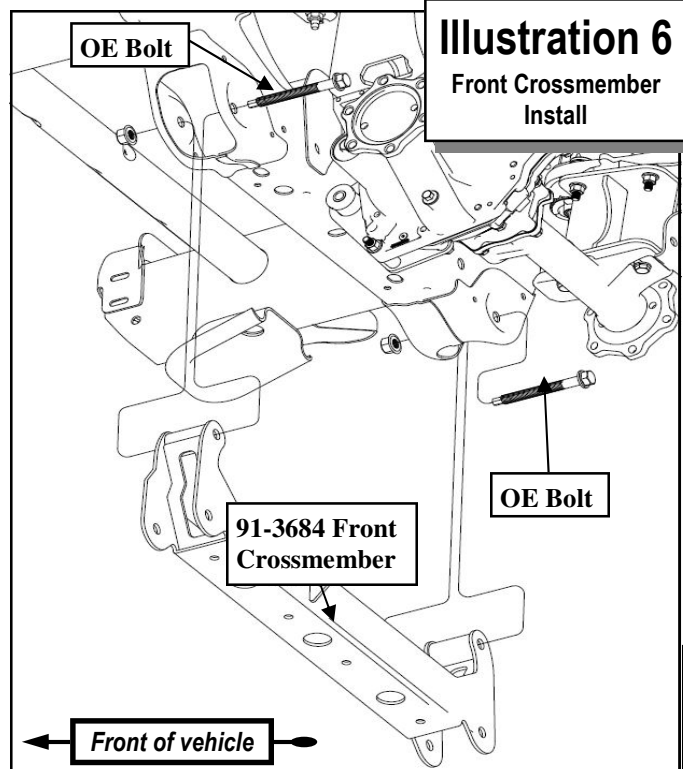


Illustration 6
Front Crossmember Install

39. Reinstall the front driveshaft to the front differential using the previously removed OE hardware.
40. Reattach the wiring harness, wiring clips and the

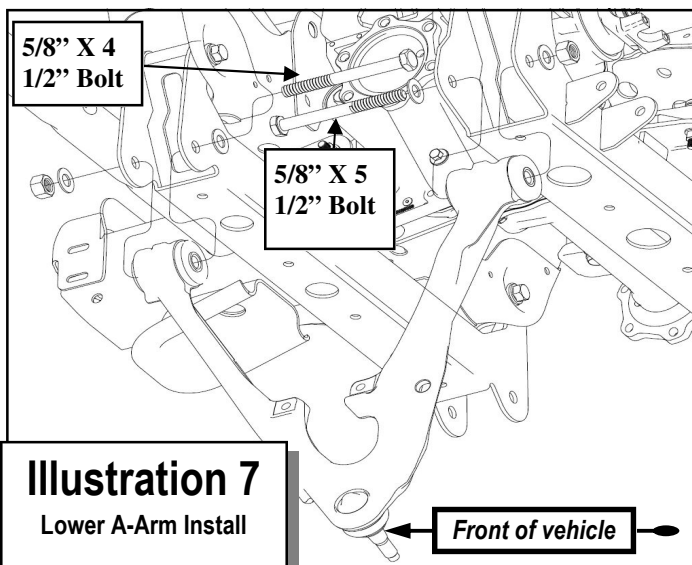


Illustration 7
Lower A-Arm Install

vent tube to the differential.

IMPORTANT: Secure the vacuum line out of the way of the steering rack.

NOTE: The differential vent tube may need to be carefully pulled down to provide more slack for it's new mounting position.

41. Unbolt the CV axle retaining nut and remove the CV axle from the **OE** knuckle.
42. Separate the knuckle from the lower control arm and remove the **OE** knuckle.
43. Disassemble the **OE** knuckle on your work bench, remove the bearing hub assembly from the **OE** knuckle by removing the **OE** bolts. Save the mounting bolts, bearing, and dust shield for re-use. Discard the **OE** knuckles
44. Reassemble the bearing hub and brake dust shields into the new Pro Comp steering knuckle (For kit 51014B: 90-4570 Drvr and 90-4571 Pass For kit 51015B: 90-4573 Drvr and 90-4574). Make sure that the ABS wiring is oriented in exactly the same position as it came from the **OE** knuckle and out of the way of the tire.

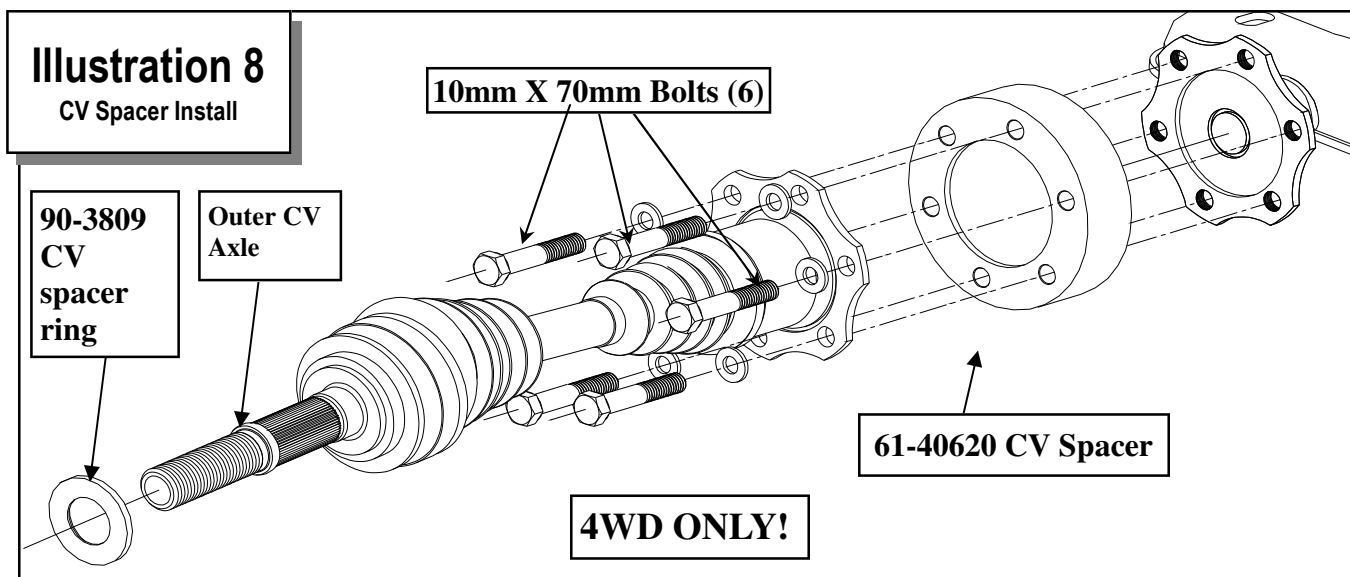
NOTE: The **OE** aluminum knuckles come equipped with spacer plates. The spacer plates will not be reinstalled to new knuckles.

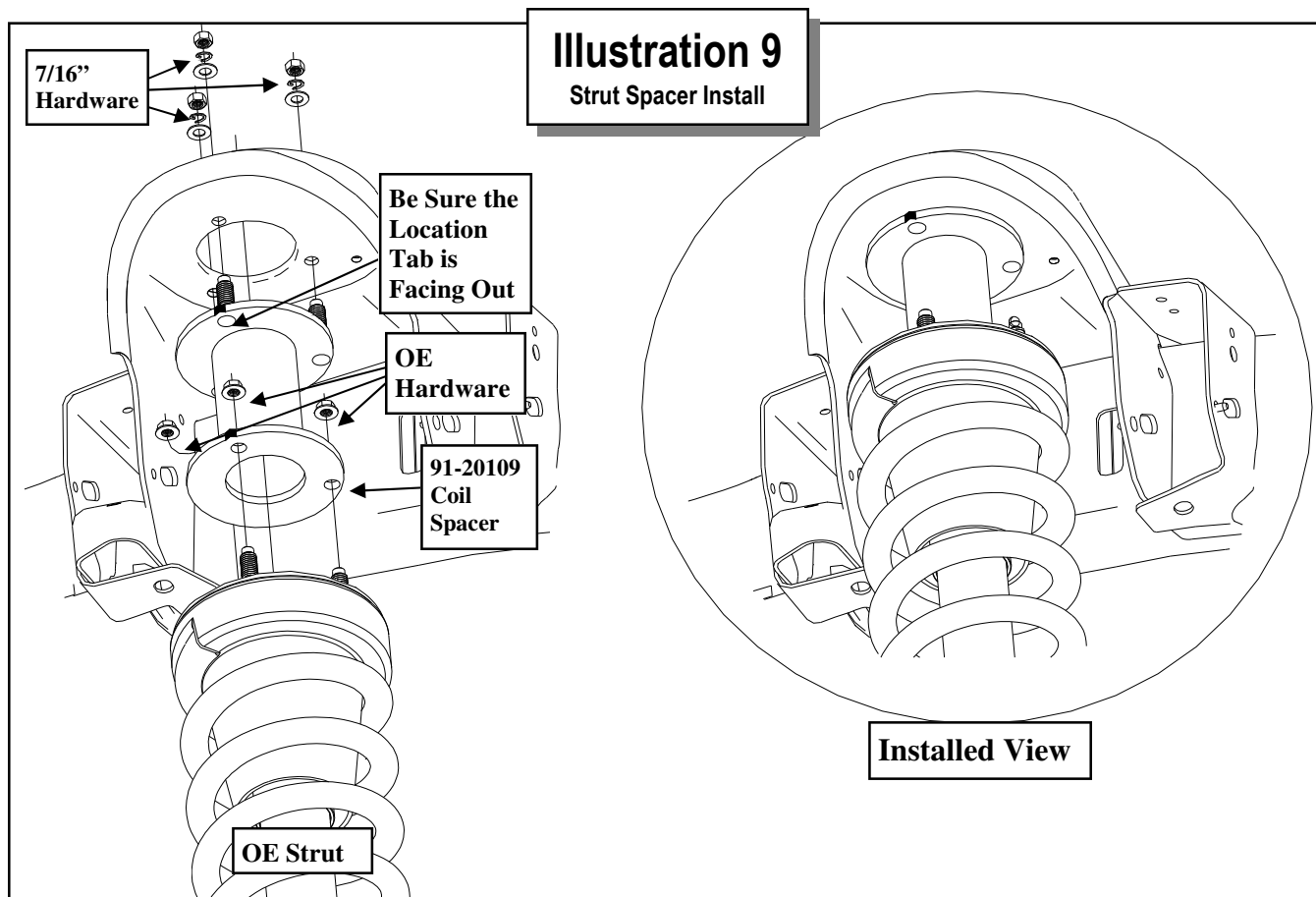
45. Torque the bearing to the knuckle with the **OE** bolts. Torque to 133 ft./lbs. Repeat on the other side.
46. Install the lower control arms into the crossmember mounting pockets. Secure using the supplied 5/8" X 4 1/2" bolts and hardware in the front

pocket and the supplied 5/8" X 5 1/2" bolts and hardware in the rear pocket. See ILLUSTRATION 7.

IMPORTANT!: Install 5/8" control arm bolts with the heads facing toward the differential.

47. Install the new knuckle to the lower ball joint. Torque the lower ball joint nut 74 ft./lbs.
48. Slide the CV spacer ring (90-3809) onto the splined end of the outer CV axle. Be sure that the tapered end of the ring is facing toward the inside of the axle. Slip the CV axle through the bearing hub in the knuckle from the inside.
49. Secure the CV axle and the CV spacer (61-40620) to the differential using the supplied 10mm X 70mm bolts and washers. See ILLUSTRATION 8.
50. Install the new knuckle to the upper ball joint. Start the nut and leave hand tight until Coil over installation is complete.
51. Reinstall the CV shaft washer and retaining nut to CV axle. Torque this nut to factory specifications. (See your GM service manual for details)
52. **WITH THE STRUT SPACERS**, attach the strut spacer (91-20109) to the top of the strut using the **OE** hardware. Torque to manufacturers specifications. See ILLUSTRATION 9.
53. Fit the strut and spacer assembly into the stock mounting locations. Fasten using the supplied hardware on the top from hardware pack (90-6317) torque to 45-50 ft./lbs. See ILLUSTRATION 9.





NOTE: Be sure that the locating tab on the top ring of the strut spacer is facing toward the outside of the vehicle.

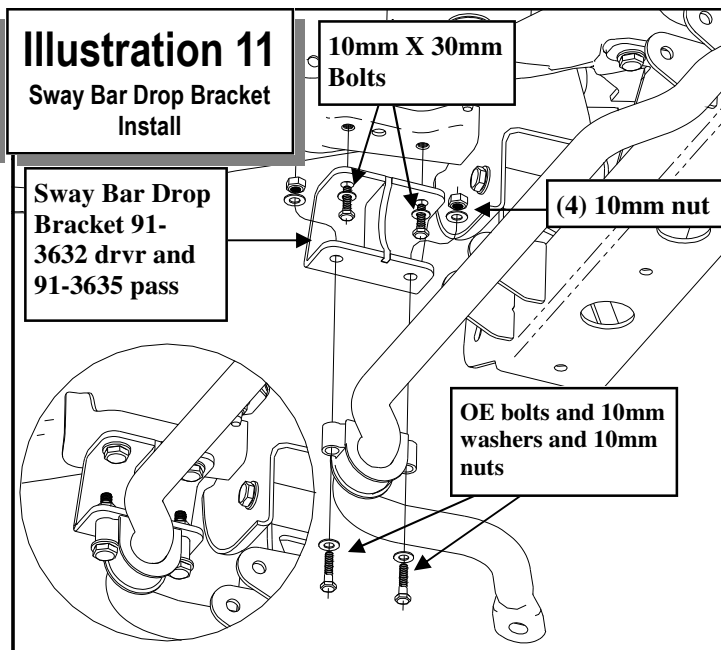
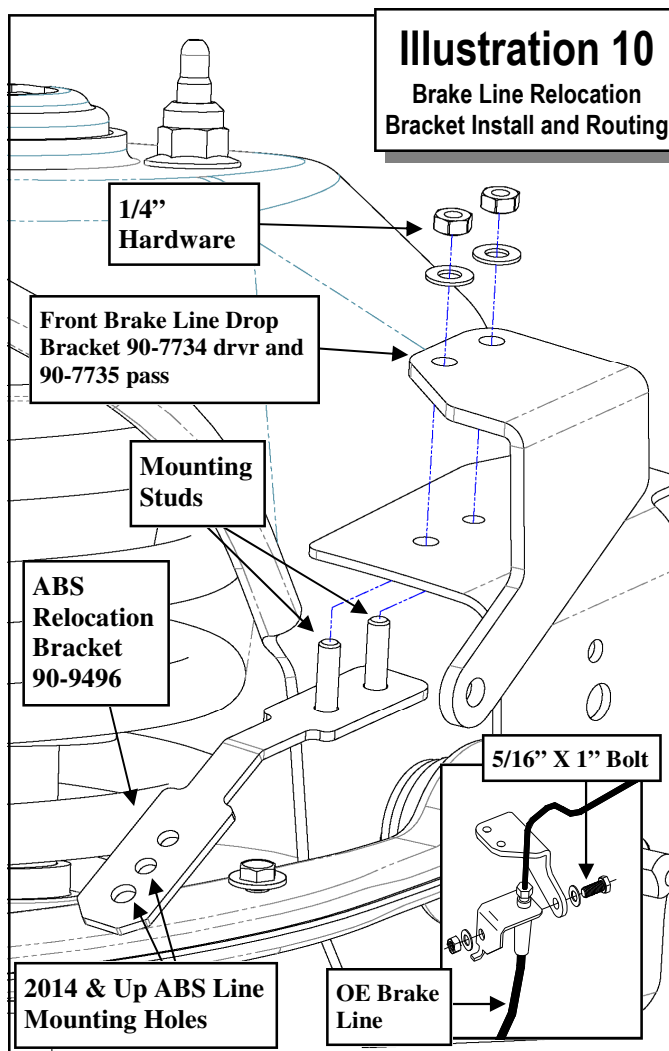
IMPORTANT!: Be sure the OE wiring harness clips are reinstalled to the strut spacer studs. Failure to do so may result in the wiring harnesses being damaged by the steering column.

54. Secure the lower strut cross pin to the lower A-arm using the OE bolts. Torque the bolts according to the manufacturers specifications. See ILLUSTRATION 9 If 4WD, trim the bolt under the C.V. shaft and check clearance at full droop.
55. Repeat 52 through 54 (for use with OE strut) on the remaining side of the vehicle.
56. Torque the upper ball joint nut to 37 Ft./lbs.
57. Be sure to re-clip the previously removed upper strut mount wiring away from any moving parts, steering shaft or exhaust manifolds.
58. Work on one side of the vehicle at a time.
59. Torque all the differential, upper crossmember bolts and coil over hardware according to the

torque chart on page 22 or to factory specifications. **DO NOT** torque the lower A-arm until the vehicle is on the ground.

60. Unbolt the rubber brake line bracket from the upper coil bucket. Discard the OE bolt.
61. Unclip the OE metal brake lines from the frame clips and carefully bend to provide enough slack in the line for it's new position.

NOTE: Be sure that the metal lines do not rub or contact anything.
62. Install the ABS line relocation bracket (90-9496) studs, from the bottom, into the existing holes in the rear of the upper control arm pocket. Install the brake line relocation bracket (90-7734 **drvr** and 90-7735 **pass**) to the ABS relocation bracket mounting studs. Secure using the supplied 1/4" washers and nuts. See ILLUSTRATION 10.
63. Bolt the brake line to the previously installed brake line relocation bracket (90-7734 **drvr** and 90-7735 **pass**) using the supplied 5/16" X 1" bolt. See ILLUSTRATION 10.
64. Reinstall the rotors and brake calipers to the new



the supplied 1/4"-20 X 3/4" bolt and hardware.

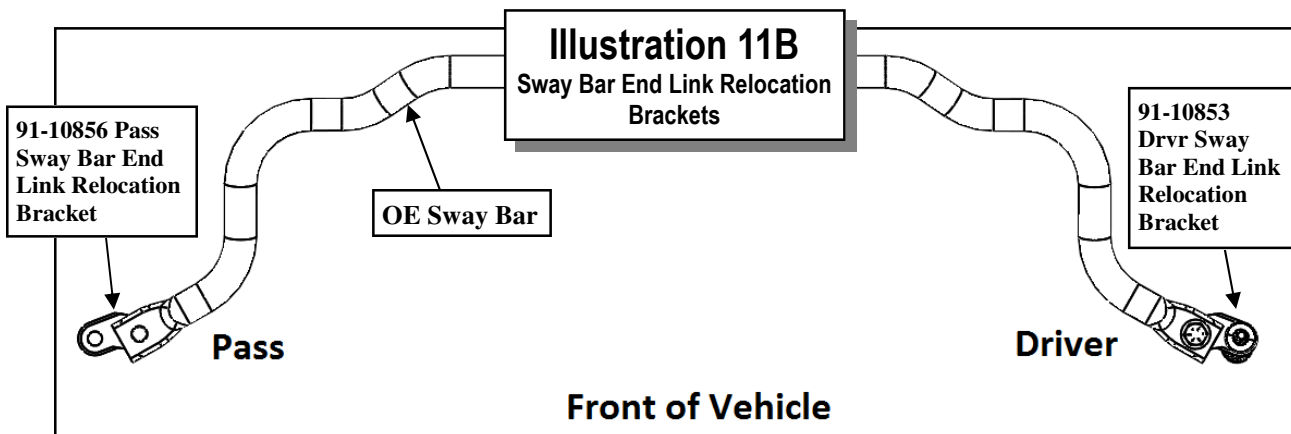
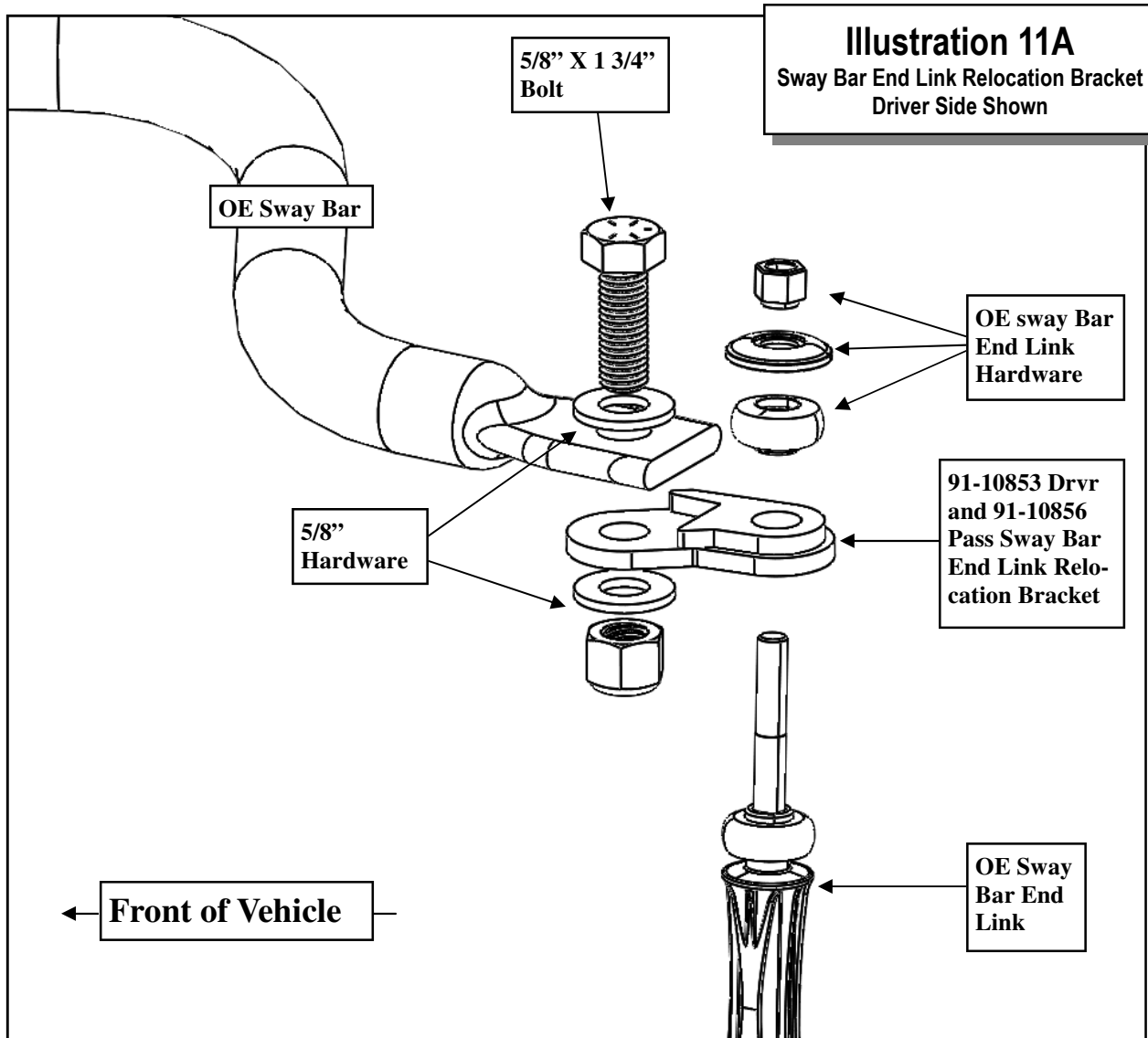
NOTE: The Adel clamp has a flat side and a rounded side, make sure the flat side is facing out toward the tire.

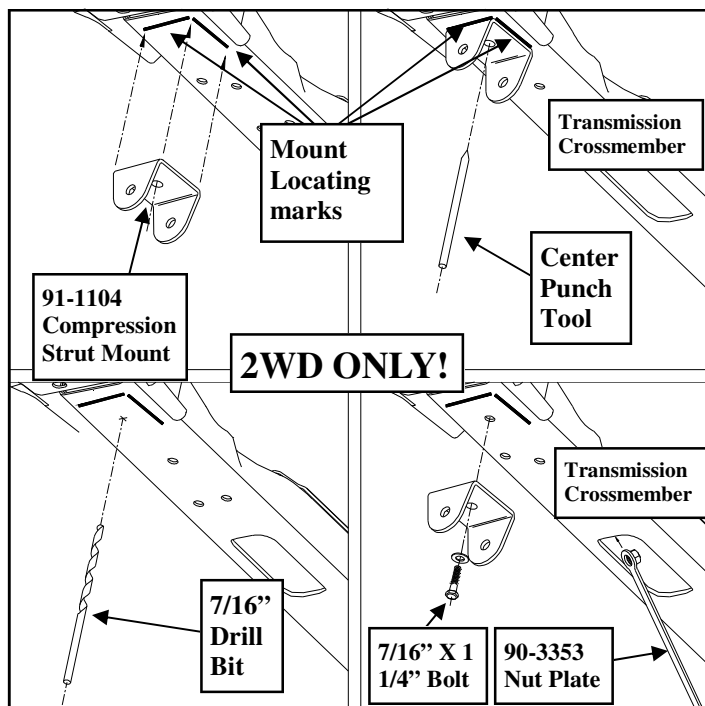
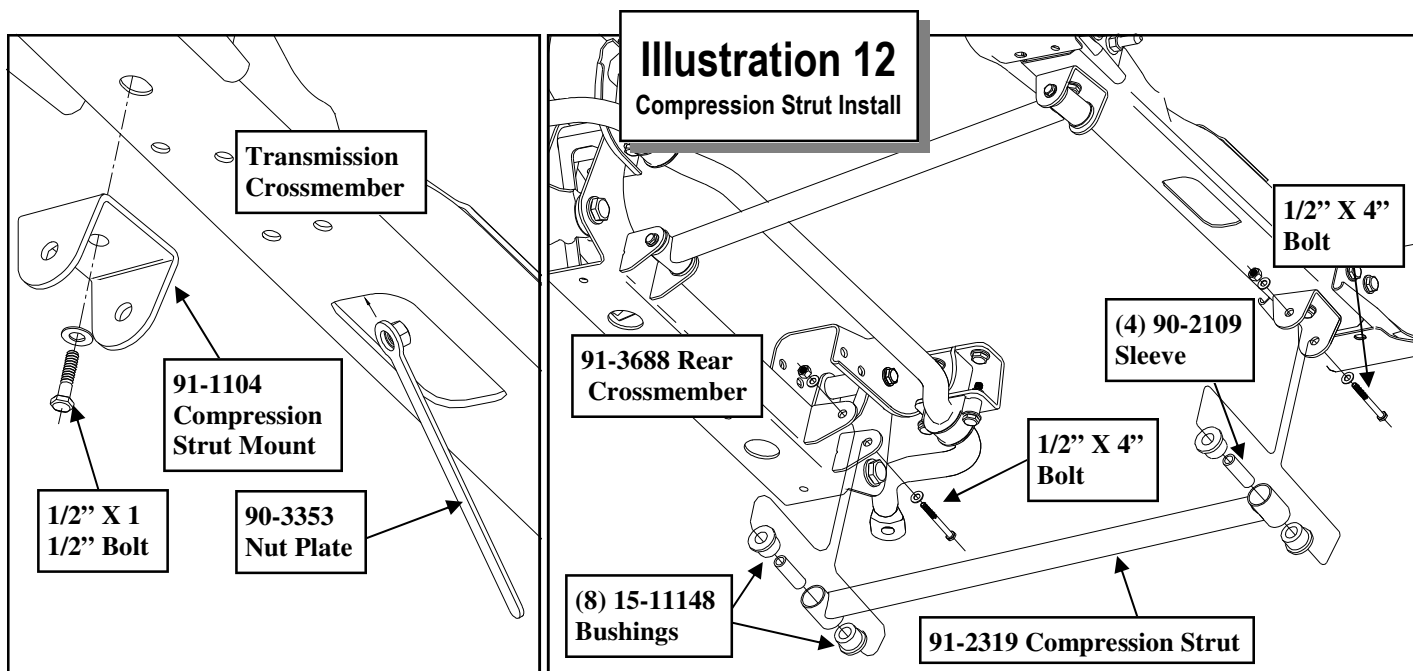
knuckle using the previously removed OE bolts. Be sure to use thread locker on the caliper bracket mounting bolts. Torque to factory specifications.

NOTE: It may be necessary to carefully bend the caliper banjo fitting slightly up to provide adequate slack for the brake line. Be very careful not to damage the banjo fitting or brake line in any way. Check tightness of banjo bolt after modification.

65. Route the ABS wire through the factory clips on the upper A-arm. Secure the ABS line to the (2) lower mounting holes in the relocation bracket (90-9496). The ABS line plastic push pin will install to one hole and the locating tab will install into the remaining hole. See ILLUSTRATION 10.
66. Install the ABS bracket (90-9549) to the rear of the steering knuckle using the OE bolt.
67. Install the Adel Clamp onto the ABS line.
68. Secure the Adel clamp to the ABS bracket using

69. On both sides of the vehicle loosen the jam nut and remove the outer tie rod ends and jam nuts.
70. **The inner and outer tie rod ends will need to be shortened.** Measure in 9/16" from the end of the inner tie rod end and scribe a line. Measure in 9/16" from the end of the outer tie rod end and scribe a line. Using a suitable cutting tool, (abrasive cutoff wheel, Sawz-all, etc.) cut the ends along the previously marked line. Be sure the cut is made straight and square or else the jam nut will not hold it's torque properly.
71. Install the supplied 16mm jam nuts onto the inner tie rods. Thread the jam nut and outer tie rod ends on as far as they will go on the inner tie rods with the stud facing down.
72. Reinstall the outer tie rod ends onto the inner tie rod ends. Thread them on as far as they will go with the stud facing down.
73. Insert from the top and secure the tie rod end to the knuckle and torque to factory specifications. Be sure to clean the threads and use thread locking compound on the tie rod end nut.
74. Install the sway bar drop brackets (91-3632 drv and 91-3635 pass) to the original sway bar mounting holes in the frame, angled toward the





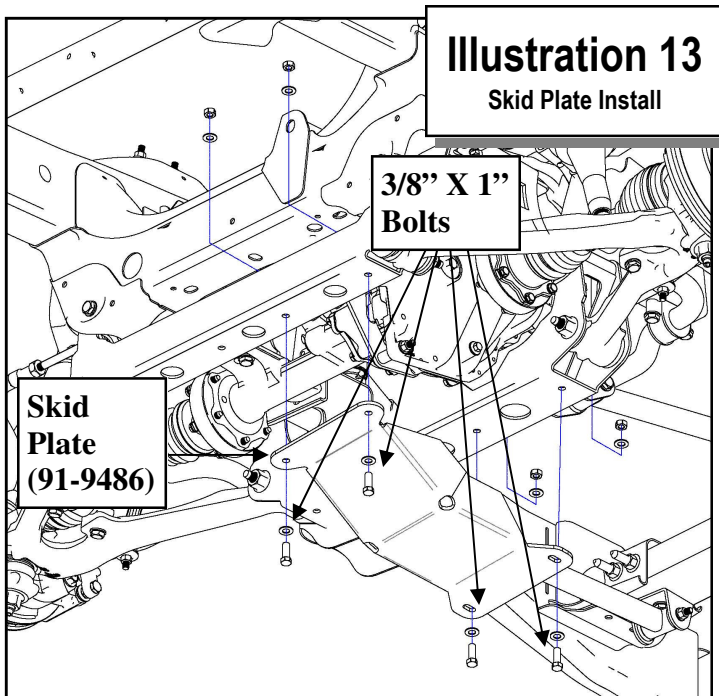
rear of the vehicle, using the supplied **10mm-1.5 X 30mm** bolts and hardware. See ILLUSTRATION 11.

75. Using the previously made sway bar orientation markings as a guide, flip the sway bar **180** degrees and reinstall it to the sway bar drop brackets using the previously removed **OE** bolts and **10mm** flat washers and **10mm** nuts. Leave hardware loose at this time. See ILLUSTRATION 11.

76. Install the end link relocation brackets (**35-10853** **drv**r and **35-10856** **Pass**) to the sway bar using the supplied **5/8\"** X **1 3/4\"** bolts and hardware. See ILLUSTRATIONS 11A and 11B.

77. Secure the sway bar relocation brackets to the **OE** sway bar end links using the previously removed **OE** hardware. See ILLUSTRATION 11A.

78. Torque **5/8\"** hardware to **135** ft./lbs. and the **OE**



sway bar end link hardware according to manufacturer's specifications.

79. Install the bushings (15-11148) and sleeves (90-2109) from hardware pack (90-6263) into the compression struts (91-2319).

80. **On 4WD models:** Using the existing outer holes attach the compression strut mounts (91-1104) to the transmission crossmember. Use the supplied 1/2" X 1 1/2" bolt and nut plate (90-3353) to secure the mounts to the crossmember. See ILLUSTRATION 12.

81. **On 2WD models:** Rotate the compression strut up to contact the transmission crossmember. Use the bracket as a template and scribe the outline of the mount on the transmission crossmember. See ILLUSTRATIONS 12.

82. Carefully lower the compression strut from the transmission crossmember.

83. Unbolt the compression strut mount (91-1104) from the compression strut. See ILLUSTRATIONS 12.

84. Using the previously scribed locating marks on the transmission crossmember as a guide, place the compression strut mount inside the locating marks. Mark the hole for drilling. See ILLUSTRATIONS 12.

Illustration 13
Skid Plate Install

3/8" X 1"
Bolts

Skid
Plate
(91-9486)

85. Center punch and drill out the previously applied mark in the transmission crossmember to 7/16". See ILLUSTRATIONS 12.

86. Secure the compression strut mount (91-1104) to the drilled hole in the transmission crossmember using the supplied 7/16" X 1 1/4" bolt and nut plate (90-3553). See ILLUSTRATION 12.

87. **2WD and 4WD models:** Rotate the compression struts up and secure them to the crossmember mounts using the supplied 1/2" X 4" bolt and hardware. See ILLUSTRATION 12.

NOTE: The wires can be trimmed off the end of the comp strut nut plates at this time.

88. Torque compression strut hardware according to the torque chart on page 22.

89. On both sides of the vehicle, check the routing of the brake lines and the ABS wire harnesses. There must be no pinching, rubbing, or stretching of either component. Use zip ties to secure these items to the steering components. At full droop, cycle the steering from lock to lock while observing the reaction of these components. Reposition them if needed.

90. Check the ABS harness at full droop, if it is too tight it may cause the ABS light to activate.

91. With the front wheels installed cycle the steering from lock to lock to check to make sure the front wheels have enough clearance in the wheel well. If the wheel contacts the front or rear of the wheel well some trimming will be necessary. Check the caliper banjo fitting to ensure the line has the proper amount of slack.

NOTE: Remove OE rotor/drum retaining clips from wheel studs before installing the wheels.

92. Install the skid plate (91-9486) to the mounting holes on the front and rear crossmembers using the supplied 3/8" X 1" bolts and hardware. See ILLUSTRATION 14.

93. Reinstall the OE skid plate using the previously removed OE bolts and provided spacers (90-9487 and 90-9488).

NOTE: The OE skid plate will need to be trimmed in order to be reinstalled. See ILLUSTRATION 14.

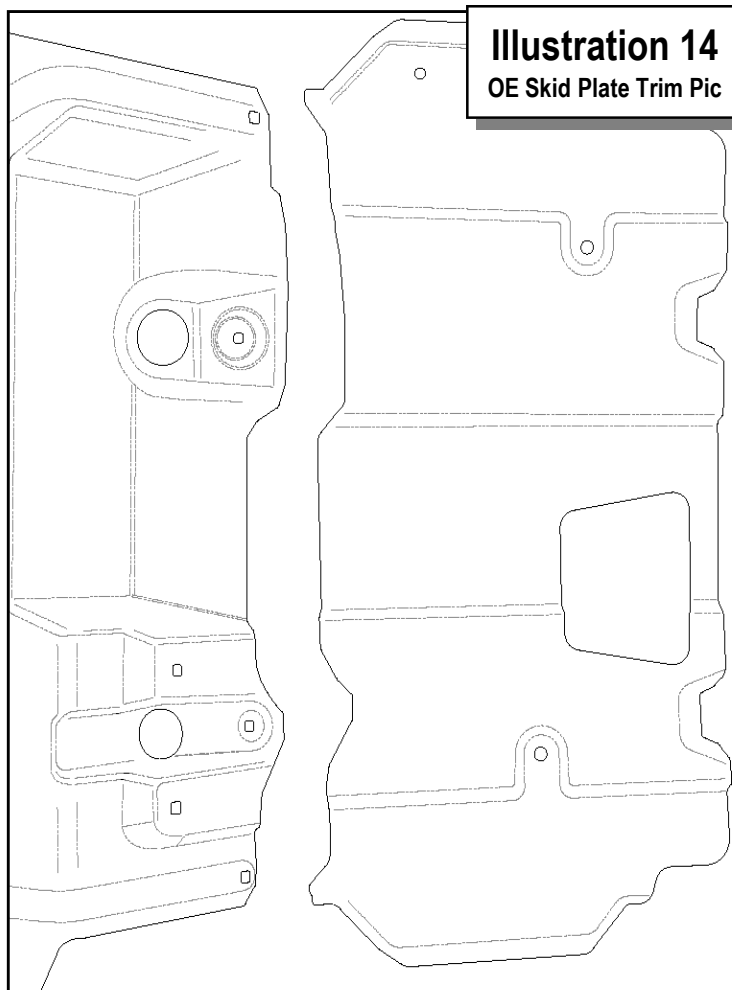


Illustration 14
OE Skid Plate Trim Pic

99. Recheck all hardware for proper installation and torque at this time.

IMPORTANT! BE SURE TO BRING THE VEHICLE IMMEDIATELY TO A REPUTABLE ALIGNMENT SHOP TO BE ALIGNED!

NOTES:

- ⇒ **On completion of the installation, have the suspension and headlights re-aligned.**
- ⇒ **After 100 miles recheck for proper torque on all newly installed hardware.**
- ⇒ **Recheck all hardware for tightness after off road use.**

94. Lower the vehicle to the ground. Torque the lug nuts according to the wheel manufacturers recommendations.
95. With the truck on the ground torque the lower A-arm bolts according to the torque chart on page 22.
96. With the vehicle on level ground, remove the front differential fill level plug. Fill the front differential, with an approved GM fluid, until the fluid starts to slightly pour out. Reinstall the fill level plug.
97. Center the steering wheel and lock it in place. Set the toe by adjusting the tie rod ends properly.
IMPORTANT!: If the steering wheel and front wheels are not centered properly it will trigger the anti-lock brake and traction control warning lights.
98. Lock the outer tie rod ends by tightening the **16mm** jam nuts.

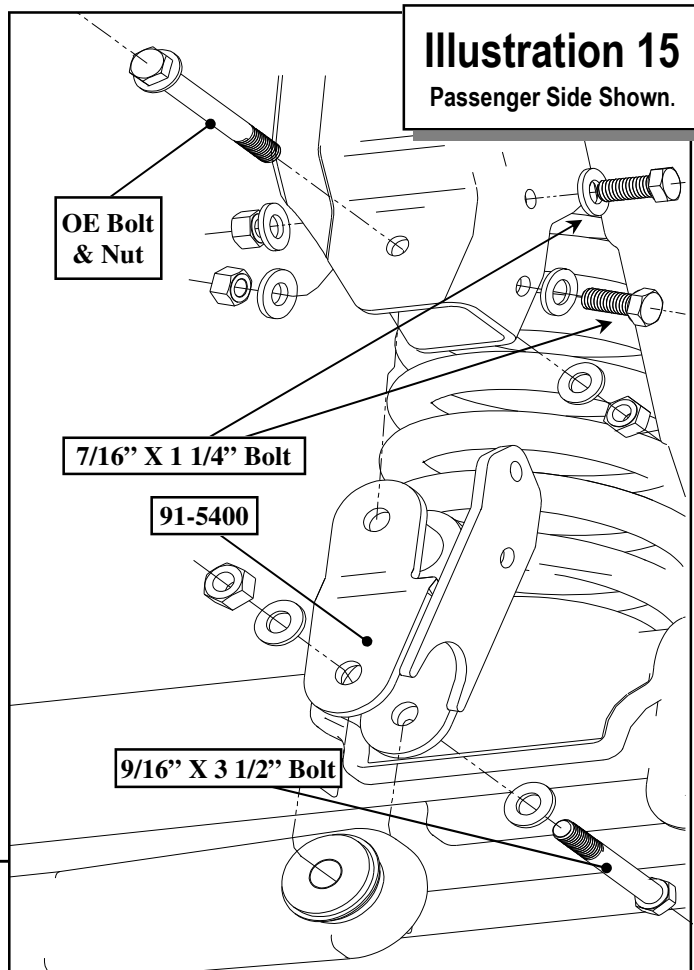
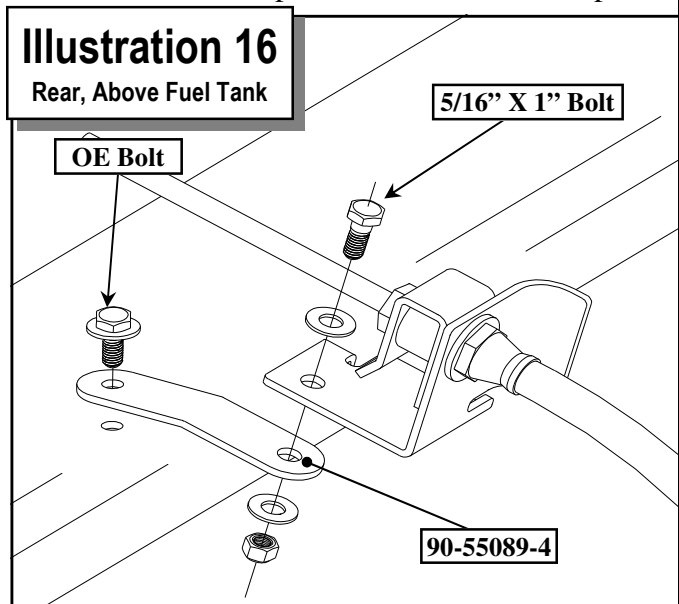
REAR INSTALLATION:

1. Raise the rear of the vehicle enough for the tires to clear the ground and use jack stands on the frame to support the truck. Remove the rear tires and wheels.
2. Support the differential with your floor jack and remove the **OE** shock absorbers. It may be necessary to raise the differential housing slightly to facilitate their removal.
3. Completely remove the sway bar links from both ends of the sway bar. Save the fasteners.
4. Remove the **OE** bolts from the differential track bar at the upper track bar mount. Save this hardware.
5. Remove the brake line mount bolt at the upper front location of the vehicle gas tank. See ILLUSTRATION 16.
6. Carefully lower the differential away from the vehicle and remove the stock springs.

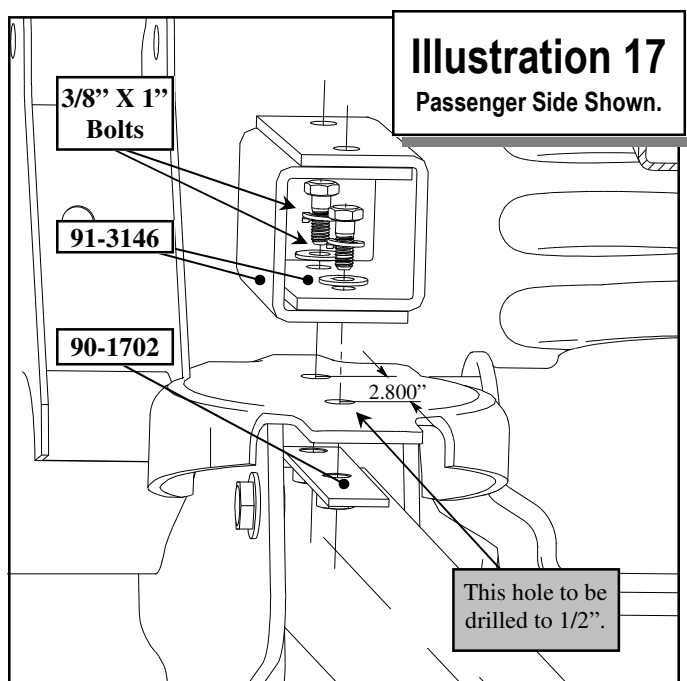
IMPORTANT!: *Be very careful not to damage the brake lines! Remove mounting brackets as needed to allow the brake lines freedom of movement sufficient to avoid damage. Remember to reinstall them when done.*
7. At the **OE** bump stop, measure from the center of the existing hole at the rear **2.800"** toward the front of the vehicle and carefully mark and center punch this location. Keep

the center line between the two holes, parallel to the vehicle center line. Drill through this location with a **1/2"** drill bit. See ILLUSTRATION 17.

8. Using ILLUSTRATION 17 as a guide, install the bump stop extension plates (**91-3146**) to



the existing bump stop by first installing one **3/8" X 1"** bolt and lock washer through one of the holes in the bump stop extension. Slide the nut plate (**90-1702**) between the **OE** bump stop and the lower trailing arm until the back nut lines up with the hole in the **OE** bump stop. Take the bump stop extension with its bolt and place it on top of the pad and start the bolt into the nut plate. Rotate the nut plate to the location of the previously drilled front hole and start the second **3/8" X 1"** bolt



with lock washer into the remaining nut on the nut plate. Tighten these bolts to 45 ft./lbs.

9. Repeat this procedure on the remaining side of the vehicle.
10. On the rear of the drivers side frame rail, loosen and disconnect the parking brake adjuster cable connector and nut. Compress the retaining fingers on the rear cables and pull the parking break cables away from the frame.
11. Remove the nuts and bolts attaching the upper and lower rear control arms on the driver's side of the frame. Do not remove the control arms from the passenger side.

NOTE: *You may have to unbolt and pull back the lower front portion of the rear wheel well to access the upper control arm bolt.*

12. Loosen the bolt attaching the lower control arm to the axle bracket. Allow the lower control arm to hang downward.
13. Attach the control arm drop bracket (91-1785 **drv** and 91-1790 **pass**) to the frame using the original bolts. See ILLUSTRATION 21.
14. Drill a 1/2" hole through the bottom of the

lower frame bracket hole and the frame. Install the 1/2" hardware from hardware pack (90-6276).

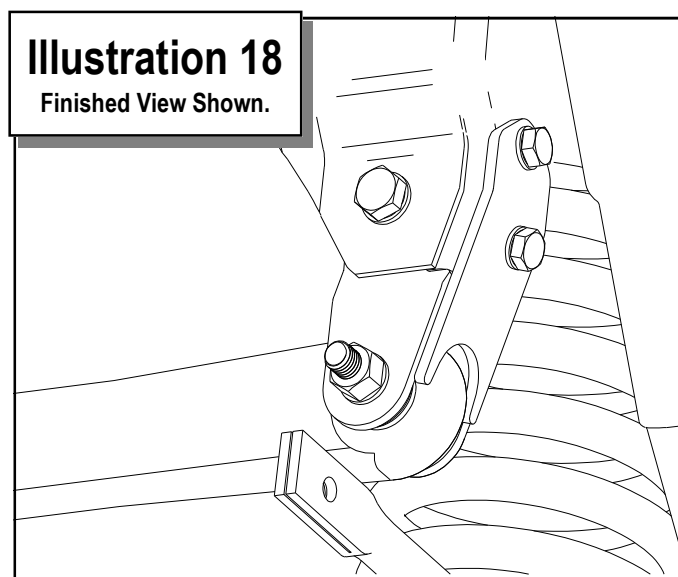
15. Tighten the 1/2" nut and bolt to 65 ft. /lbs. and the original bolts to 80 ft./lbs.
16. Pull the parking brake cables through the new control arm drop bracket, the top cable through the bracket and the bottom cable through the hole in the side of the bracket. Connect the parking brake cable connector and nut. Adjust parking brake tension to factory specifications.
17. Loosely attach the upper control arm to the control arm drop bracket with the 9/16" X 3 1/2" bolt, washer and nut from hardware pack (90-6276).

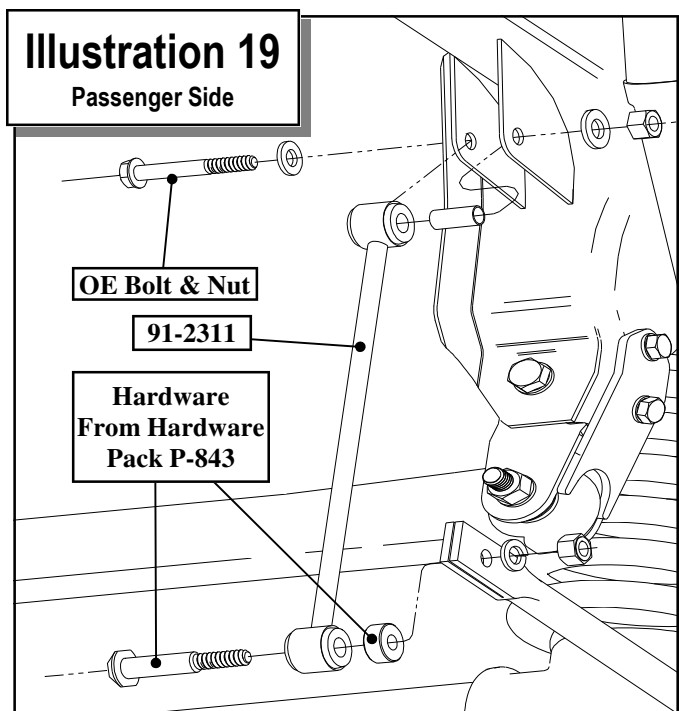
NOTE: *Do not tighten the pivot bolts until the vehicle is at its new ride height.*

18. Loosely attach the lower control arm to the control arm drop bracket with the 9/16" X 4" bolt, washer and nut from hardware pack (90-6276).

NOTE: *Do not tighten the pivot bolts until the vehicle is at its new ride height. See ILLUSTRATION 21.*

19. Repeat the control arm drop bracket installation on the remaining side of the vehicle.
20. Compress the new spring PN 14157 with a coil spring compressor.



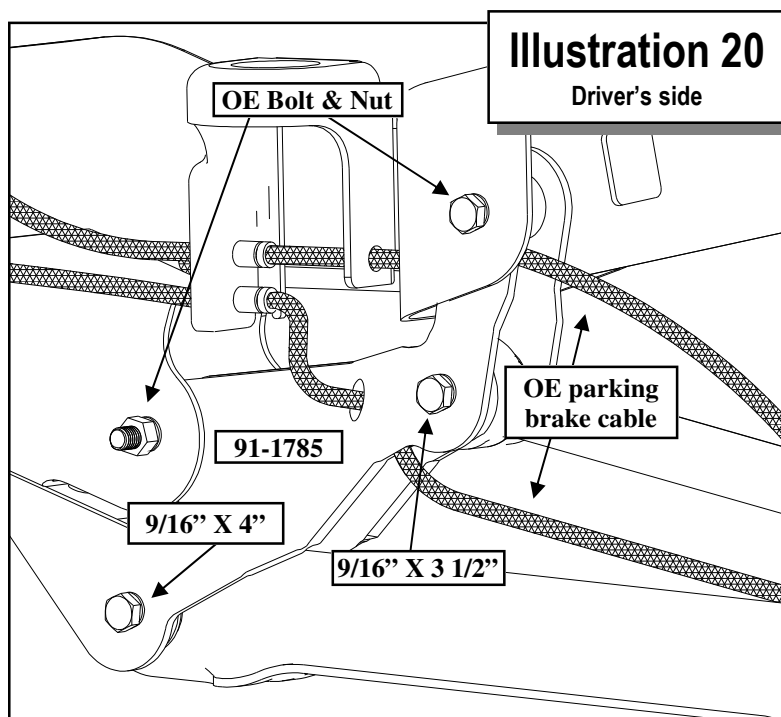


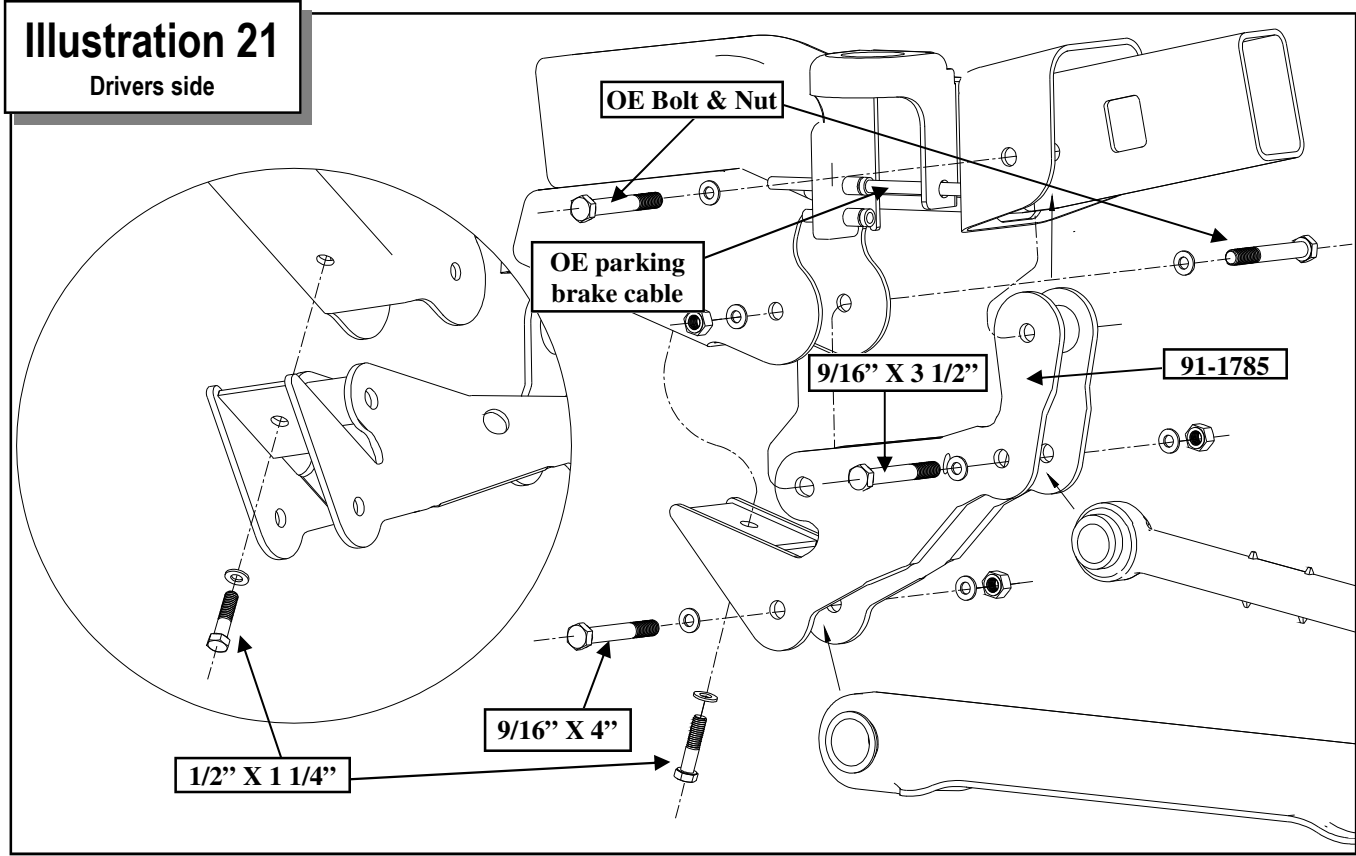
21. Continue to lower the differential until enough space exists to install the new Pro Comp springs, **PN 14157**.
NOTE: If the factory spring has a rubber pad remove it and install it on to the new spring.

22. You may have to release some slack in the differential vent hose by lightly pulling the excess down from the frame.
23. Repeat this procedure on the remaining side of the vehicle.
24. Raise the rear end until the new Pro Comp shock absorbers, (**927543 or MX6105**), can be installed. Ensure that the new springs are seated properly.
25. Using the **OE** bolt, install the brake line relocation bracket (**90-55089-4**) to the **OE** brake line mount position as shown in **ILLUSTRATION 16**. Bolt the **OE** bracket to the new relocation bracket using the **5/16" X 1"** bolt, nut, and washer provided.
26. Using **ILLUSTRATION 15** as a reference, install the track bar relocation adapter (**91-5400**). Place the adapter

into the **OE** mount and use the **OE** bolt to hold it in place. On the passenger side of the adapter are two holes that are used as drill guides for a **7/16"** drill. Drill completely through the **OE** mount and install the **7/16" X 1 1/4"** bolts, nuts, and washers provided. Torque these bolts to the bolt specifications in the rear of this manual.

27. Install the track bar into the newly installed adapter using the provided **9/16" X 3 1/2"** bolt, nut and washer. Torque these bolts to the bolt specifications in the rear of this manual.
28. Install the sway bar using the new end links (**91-2311**). Use the bushings and sleeves from (**90-6235**). Use the **OE** bolt and nut on the top and use the hardware from pack (**P-843**) on the bottom. Torque these bolts to the bolt specifications in the rear of this manual. See **ILLUSTRATION 19**.
29. Torque all fasteners.
30. Install your wheels and tires, then lower the vehicle to the ground.
NOTE: Remove OE rotor/drum retaining clips from wheel studs before installing the wheels.





31. With the vehicle on the ground and Tighten control arm bolts to **OE** specifications.
32. After installation is complete, double check that all nuts and bolts in the front and rear are tight. Refer to the chart at the end of this document for torque specifications. Unless otherwise directed, use this chart for all torque specs on pg. 22.

Final notes:

1. If new tires are installed that are more than 10% taller than original tires, the speedometer must be recalibrated for the rear wheel anti-lock brake system to function properly. Contact an authorized GM dealer for details on recalibration.
2. With vehicle on the floor, cycle the steering from lock to lock and inspect the steering, suspension and driveline systems for proper operation, tightness and adequate clearance. Recheck brake hose/fittings for leaks. Be sure all brake lines are long enough for safe operation.
3. Have headlights readjusted to the proper settings.
4. Realign front end to factory specifications. Be sure the vehicle is at the desired ride height prior to realignment.
5. Recheck ALL fasteners at 100 miles to make sure they have not come loose. Due to the additional wear and tear created by larger tires and wheels, we recommend that you periodically check the suspension system and steering components to ensure service life and safe vehicle operation.

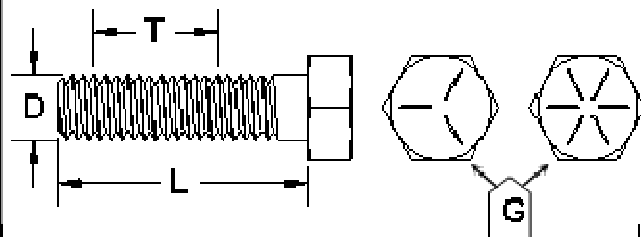
Bolt Torque and ID

Decimal System

Metric System

All Torques in Ft. Lbs.

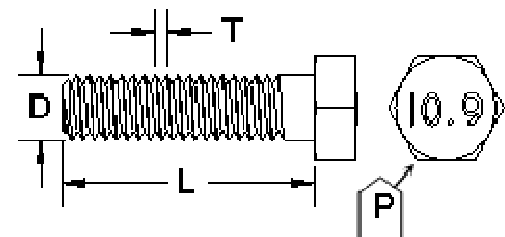
Bolt Size	Grade 5	Grade 8	Bolt Size	Class 9.8	Class 10.9	Class 12.9
5/16	15	20	M6	5	9	12
3/8	30	45	M8	18	23	27
7/16	45	60	M10	32	45	50
1/2	65	90	M12	55	75	90
9/16	95	130	M14	85	120	145
5/8	135	175	M16	130	165	210
3/4	185	280	M18	170	240	290



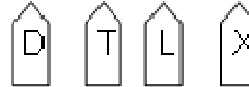
1/2-13x1.75 HHCS



Grade 5 Grade 8
(No. of Marks + 2)



M12-1.25x50 HHCS



G = Grade (Bolt Strength)
D = Nominal Diameter (Inches)
T = Thread Count (Threads per Inch)
L = Length (Inches)
X = Description (Hex Head Cap Screw)

P = Property Class (Bolt Strength)
D = Nominal Diameter (Millimeters)
T = Thread Pitch (Thread Width, mm)
L = Length (Millimeters)
X = Description (Hex Head Cap Screw)

Revision Page:



The PRO COMP PROMISE WARRANTY

At Pro Comp, we know you have many choices when selecting products to personalize your vehicle. You should demand nothing but the highest quality available and have total confidence that the products you selected are the best in the industry. It is for these reasons that Pro Comp Suspension products are backed by the best warranty in the industry...the Pro Comp Promise!

Pro Comp promises that its products will last a lifetime or we will replace it free of charge. It's that simple! Because of our commitment to quality and manufacturing excellence, we are able to stand behind our products. FOREVER.

It is Pro Comp's Promise that if one of our suspension products breaks not due to misuse, neglect or vandalism, we will replace it. Whether you are the original purchaser or not, you can be assured that we will make it right. The Pro Comp Promise covers all suspension products including shocks and steering stabilizers. Buy Pro Comp Suspension today and enjoy it for the rest of your life!

That's our Pro Comp Promise!

Notice to Owner, Operator, Dealer and Installer:

Vehicles that have been enhanced for off-road performance often have unique handling characteristics due to the higher center of gravity and larger tires. This vehicle may handle, react and stop differently than many passenger cars or unmodified vehicles, both on and off-road. You must drive your vehicle safely! Extreme care should always be taken to prevent vehicle rollover or loss of control, which can result in serious injury or even death. Always avoid sudden sharp turns or abrupt maneuvers and allow more time and distance for braking! Pro Comp reminds you to fasten your seat belts at all times and reduce speed! We will gladly answer any questions concerning the design, function, maintenance and correct use of our products.

Please make sure that the Dealer / Installer explains and delivers all warning notices, warranty forms and instruction sheets included with Pro Comp product.

Warranty and Return Policy:

Pro Comp warranties its full line of products to be free from defects in workmanship and materials for the life of the product. Pro Comp's obligation under this warranty is limited to repair or replacement, at Pro Comp's option, of the defective product. Any and all costs of removal, installation, freight or incidental or consequential damages are expressly excluded from this warranty. Pro Comp is not responsible for damages and / or warranty of other vehicle parts related or non-related to the installation of Pro Comp product. A consumer who makes the decision to modify his vehicle with aftermarket components of any kind will assume all risk and responsibility for potential damages incurred as a result of their chosen modifications. Warranty coverage does not include consumer opinions regarding ride comfort, fitment and design. Warranty claims can be made directly with Pro Comp or at any factory authorized Pro Comp dealer.

IMPORTANT! To validate the warranty on this purchase please be sure to mail in the warranty card.

Claims not covered under warranty

* Parts subject to normal wear; this includes bushings, bump stops, ball joints, tie rod ends and heim joints.

* Finish after 90 days.

* Damage caused as a result of not following recommendations or requirements called out in the installation manuals.

Pro Comp MX Series coil-over shocks are considered a serviceable shock with a one-year warranty against leakage only. Rebuild service and replacement parts will be available and sold separately by Pro Comp. Contact Pro Comp for specific service charges. Pro Comp accepts no responsibility for any altered product, improper installation, lack of or improper maintenance or improper use of our products.

E-Mail: info@procompusa.com
Website: www.procompusa.com
Fax: (310) 747-3912
Ph: 1-800-776-0767

PLACE
WARRANTY REGISTRATION
NUMBER
HERE: _____